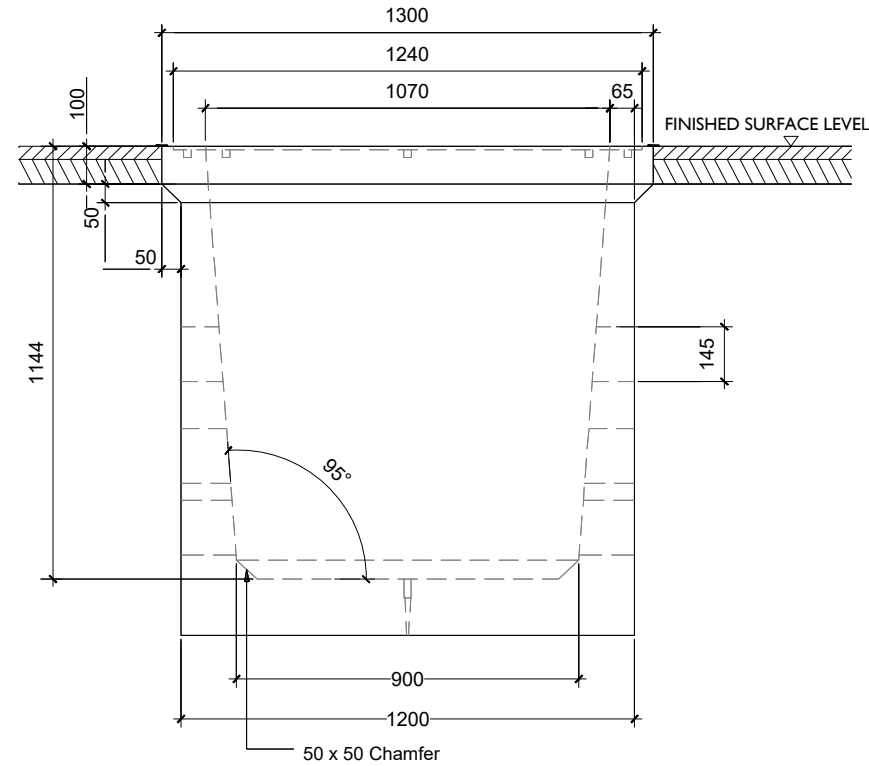


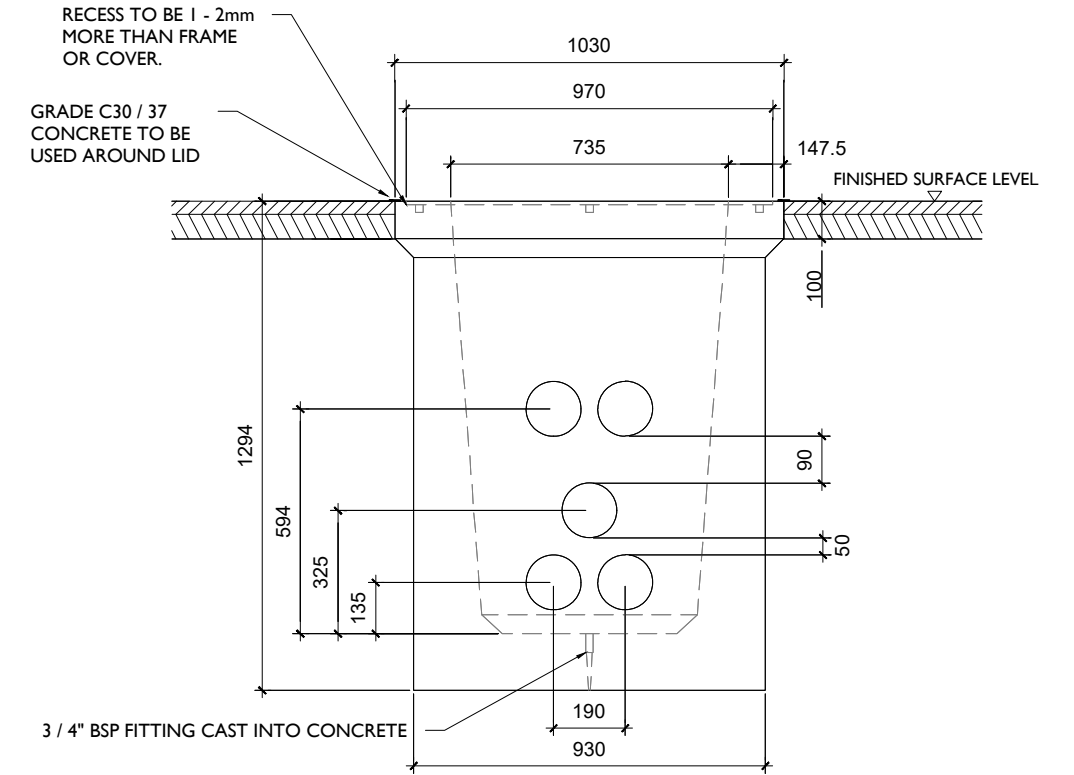
NOTES;

1. ALL DIMENSION IN MILLIMETERS UNLESS OTHERWISE STATED
2. REINSTATEMENTS TO COMPLY WITH REQUIREMENTS OF THE RELEVANT LOCAL AUTHORITY/ASSET OWNER
3. ENTRANCE AND EXIT DUCTS TO BE IN LINE
4. ALL MATERIALS AND WORKMANSHIP TO BE IN ACCORDANCE WITH NRA/T.I.I. SPECIFICATION FOR ROADWORKS, MAY 2005 & SUBSEQUENT REVISIONS
5. REINFORCED CONCRETE TO BE MINIMUM GRADE C32 / 40, SULPHATE RESISTING CEMENT TO BE USED WHERE AGGRESSIVE SOIL CONDITIONS APPLY, REFER TO TABLE 6.1 OF THE BRITISH STANDARD 8110.
6. CARRAIGWAY COVERS AND FRAMES TO BE TO B.S EN 124.
7. ALL COVERS SHALL HAVE "ESB" LOGO INCORPORATED IN THEM TO THE APPROVAL OF EIRGRID
8. STEP IRONS TO BE GOT DIPPED GALVANISED TO B.S 729 AND POSITIONED AS SHOWN ON ANY CHAMBER DEEPER THAN 700mm ON THE END REMOTE FROM ANY SIDE ENTRY DUCT.
9. CONCRETE PRECAST CHAMBER AND COVER TO BE TESTED THROUGH 5 POINTS, 40 TONNES VERTICAL STATIC LOADING TEST BY AN INDEPENDENT TEST COMPANY. IF REQUIRED, FURTHER DETAILS WILL BE PROVIDED BY EIRGRID.
10. FINAL POSITION OF C2 CHAMBERS SHALL BE AGREED WITH EIRGRID
11. IN A FOREST ENVIROMENT, BACKFILL WITH LEAN MIX OUTSIDE THE COVER FRAME WHERE THE ASPHALT IS SHOWN



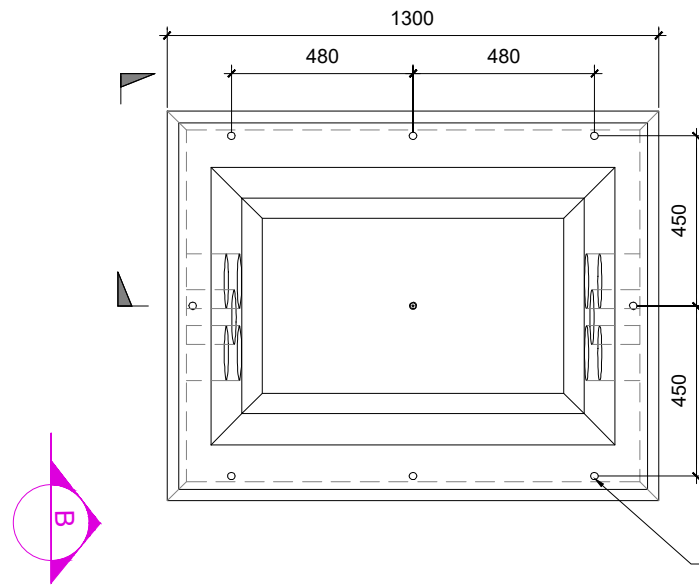
**C2 Chamber Detail - Section A**

SCALE 1:20



**C2 Chamber Detail - Section B**

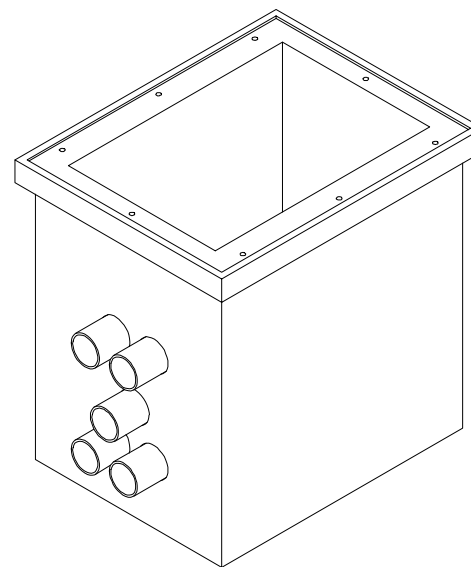
SCALE 1:20



**Typical Plan of C2 Chamber**

SCALE 1:20

8 HOLES IN THE MOULD TO SUIT  
THREADED INSERTS (PLEASE CH  
ALIGNMENT OF ALL HOLES)



**Isometric : C2 Chamber Arrangement**

SCALE 1:20



Head Office  
Beenreigh,  
Abbeydorney,  
Tralee, Co. Kerry  
Ireland  
Tel: 00353 66 7135710

CLIENT



PROJECT

Clogherchor Wind Farm  
110kV Grid Connection

PROJECT NUMBER  
05-725

SHEET NUMBER  
05725-DR-125

SHEET TITLE

Typical Communications  
Chamber Details

DRAWING STATUS  
For Information

ISSUE/REVISION

I/R	DATE	DESCRIPTION
P01	11.01.23	Issued for Information
P00	03.10.22	Issued for Information